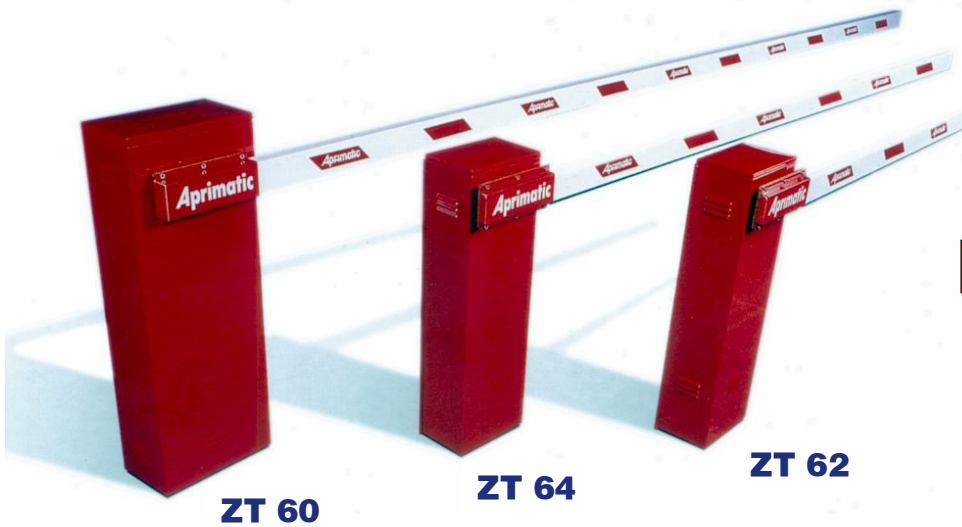




# ZT60 - ZT62 - ZT64



## High-Performance Hydraulic Barriers for Intensive or Industrial Use

### High intensity bar movement

The **ZT60** hydraulic system is dedicated to opening and closing accesses with barriers. The **ZT60** is particularly recommended for intensive use, it can operate barriers of up to 6.5 metres.

Movement is always smooth and regular thanks to a helicoidal spring balancing system. Moreover, a double hydraulic lock ensures considerable stability of the beam in any position: raised, lowered and at any intermediate pause point.

The **ZT60** is equipped with an anti-crush safety device consisting of a pair

of by-pass valves that are particularly sensitive and stop the bar at the minimum contact with an obstacle.

The paint treatment used for all the structural and external parts make this model totally immune to any kind of environmental and atmospheric aggression.

### Light and sturdy beams

Made of light alloy and aluminium, Aprimatic beams are distinguished for their lightness and sturdy construction. They are hot painted white, and trimmed with reflecting red strips to ensure maximum visibility under all light conditions.

## MODELS

The **ZT60** range comes in the following models:

**ZT60:** (left and right) for barriers from 5 m. to 6.5 m., with double hydraulic lock.

**ZT60 INOX:** for installation in corrosive atmospheres, it is equipped with a column, door, fastening bracket and barrier in stainless steel.

**ZT64:** (left and right) for barriers from 2 m. to 4.5 m., with double hydraulic lock.

**ZT64 INOX:** for installation in corrosive atmospheres, it is equipped with a column, door, fastening bracket and barrier in stainless steel.

**ZT62:** (left and right) for barriers from 2 m. to 2.5 m., with double hydraulic lock.

For particular purposes, beams for industrial use are available.

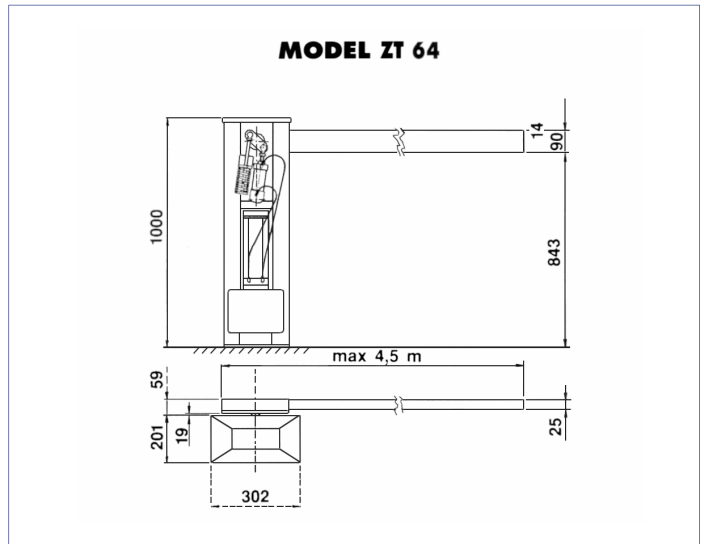
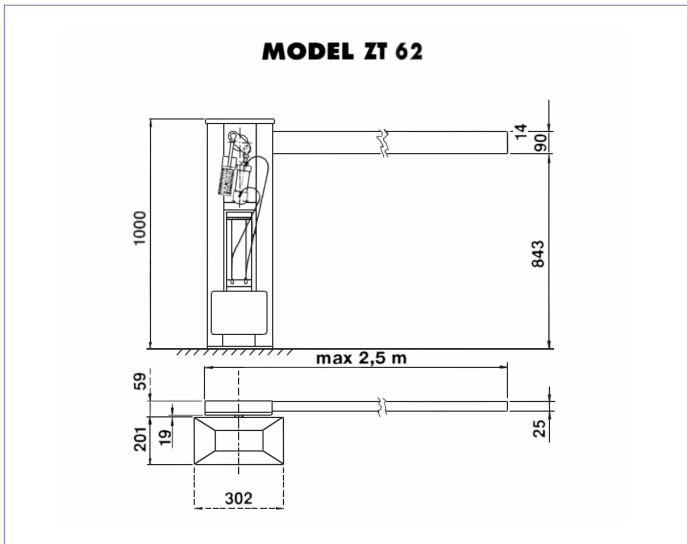
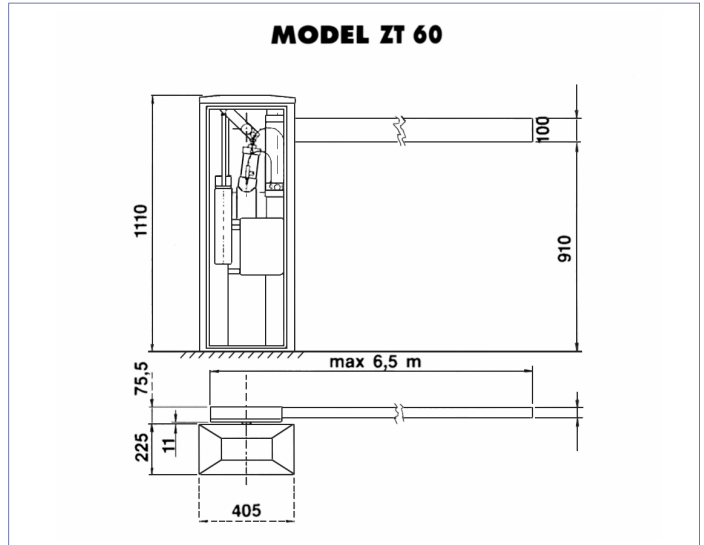




# ZT60 - ZT62 - ZT64



TECHNICAL DATA	ZT60	ZT64	ZT62
SINGLE-PHASE POWER SUPPLY	230v ± 10% 50Hz		
POWER ABSORBED (W)	250		
CURRENT ABSORBED	1.6A		
HEAT PROTECTION	90°C		
WEIGHT WITH OIL	85 kg	50 kg	50 kg
WORKING TEMPERATURE	-20°C /+70°C		
WEIGHT WITH OIL (kg)	5		
AMOUNT OF OIL (ltr)	1.6		
OIL TYPE	AprimOil HC13		
MAX. WORKING PRESSURE	40 Bar		
PUMP DISPLACEMENT	1 ltr/min		
OPENING TIME (sec)	11	5	2
BARRIER LENGTH (min)	5.0 m	2.0 m	2.0 m
(max)	6.5 m	4.5 m	2.5 m



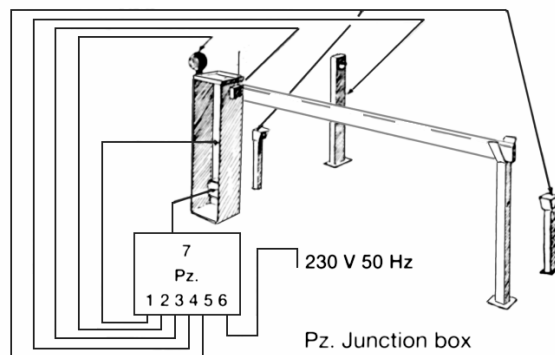
## TECHNICAL RECOMMENDATIONS

The **ZT60, ZT62** and **ZT64** hydraulic barriers are designed for intensive but not continuous use.

This means they can be subjected to high frequency of operation for limited periods of time. For example: in a large apartment building the use of these barriers is possible since there are rush periods with high traffic alternating with periods of limited flow.

It is important to ensure a correct adjustment of balance for the aluminium beams of various lengths. This simple operation is achieved with a system of springs and ensures long life for the system.

### WIRING DIAGRAM FOR ZT60 - ZT62 - ZT 64 RANGE



- 1 Hydraulic unit power supply 4 wires, sect. 1.5 sq.mm (common blue)
  - 2 Flashing light ET 22 230V 2 wires sect. 1.5 sq.mm ET 1 24V 3 wires sect. 1.5
  - 3 Radio receiver 3 wires sect. 1.0 sq.mm. (2 wires for each channel)
  - 4 Key contact 2 wires per sect. 1.0 sq.mm.
  - 5 Safety photocell, receiver 4 wires sect. 1.0 sq.mm. transmitter 2 wires sect. 1.0 sq.mm.
  - 6 Power supply 230 V single phase 3 wires sect. 1.5 sq.mm.
  - 7 Electronic equipment
- NOTE: Protect the 230V power supply with a 6A safety switch with 30 mA sensitivity. Ground all metallic structures.

## CENTURION

WESTHILL BUSINESS CENTRE, ARNHALL BUSINESS PARK, WESTHILL, ABERDEEN AB32 6UF  
 Tel: 01224 744440 · Fax: 01224 744819 · Email: info@centurionsecurity.co.uk

[www.centurionsecurity.co.uk](http://www.centurionsecurity.co.uk)

Security • Confidence • Peace of Mind