



Onda 2000



Powerful Sliding Gate Motor for Gates Up to 2000 kg.

Electromechanical Operator for Heavy Sliding Gates

*The **ONDA 2000** is a gear motor which has been developed to move commercial or residential gates of large dimensions and weight. Its practicality, sturdiness, reliability*

and the fact that it has been studied for intensive use, makes it stand out from the other motors.

The practical, sturdy, oil bathed and reliable electromechanical gear motor has a control unit on board that foresees an electric brake.

*The motor of the **ONDA 2000**, which has an irreversible oil bathed*

step-down gear that is noiseless and functional at temperatures that range between -20°C and + 70°C, does not need the application of an additional electric lock.

The anti-crush system is totally safe for it is guaranteed by an adjustable clutch that on contact with an obstacle, reduces the thrust force to the motor.



MODELS

*The **ONDA 2000** is supplied with a control unit on board.*

Accessories: Foundation Plate

All other accessories are standard to the Aprimatic range.





Onda 2000



ONDA 2000 TECHNICAL DATA

POWER SUPPLY	230V
FITTINGS	24V
LEAF WEIGHT	1000-2000 kg.
OPERATING TEMPERATURE	-20°C / + 70°C
LIMIT SWITCH	Electromechanical
PINION	Z16

DEVICE TECHNICAL DATA

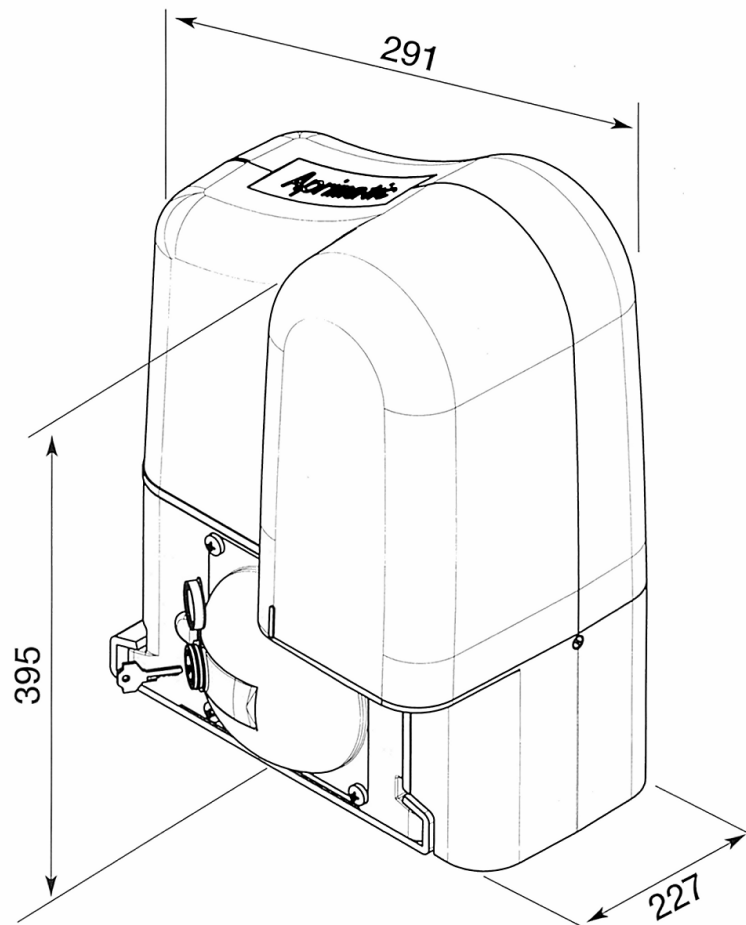
FUNCTIONING LOGIC
• AUTOMATIC
• SEMI-AUTOMATIC
• SUPER AUTOMATIC
• SETUP
• DEAD-MAN CONTROL
• OPEN-CLOSE
• STEPPING
• DECELERATION OF OPENING & CLOSING AT 300 mm.
PARTIAL OPENING FUNCTION
CAN BE FITTED WITH PLUG-IN RECEIVER
COURTESY LIGHT
SELECTION OF PRE-WARNING FLASHING
BRAKING REGULATION
ELECTRONIC BRAKE

TECHNICAL SUGGESTIONS

The **ONDA 2000** motors, which have a built in clutch, guarantee an extremely high level of safety compared to other similar systems. However, the security can only be effective if the mechanisms of the gate are according to the criteria outlined in the CE regulations, UNJ 8612, which are: easy to slide (the diameter of the wheels should be adequate enough to handle the weight) and the mechanical limit stops on the gate guides so as to prevent the gate from coming off the rails or falling over.

Read the installation before setting the system at work and proceed according to the methodology indicated on the same.

OPERATOR DIMENSIONS



CENTURION

WESTHILL BUSINESS CENTRE, ARNHALL BUSINESS PARK, WESTHILL, ABERDEEN AB32 6UF

Tel: 01224 744440 · Fax: 01224 744819

email: info@centurionsecurity.co.uk

www.centurionsecurity.co.uk

Security • Confidence • Peace of Mind

WIRING DIAGRAM

